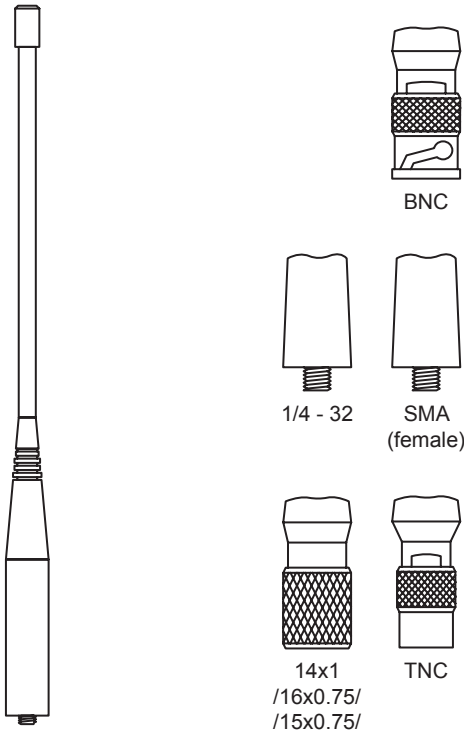


PA-27

Helical Antenna in the CB Band



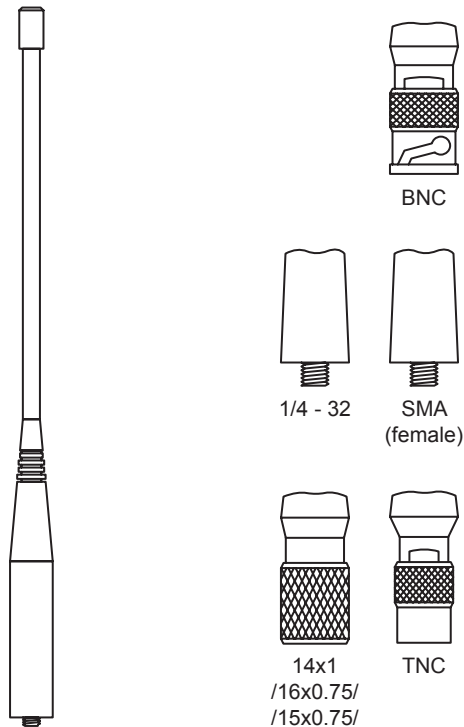
Flexible, conical steel helix moulded in flexible thermoplastic rubber. Optimum performance compared to physical dimensions. Tuned and tested to ensure minimum SWR and optimum performance. High quality materials in a smooth and slender design. Designed for use with different connectors.

specifications

Frequency Range	27 MHz
Impedance	50 Ω
Max. Power	25 W
Gain	0 dBd
Length	250 mm
Cover	PVC mould

PA1-B

Helical Antenna in the 36-68 MHz Band



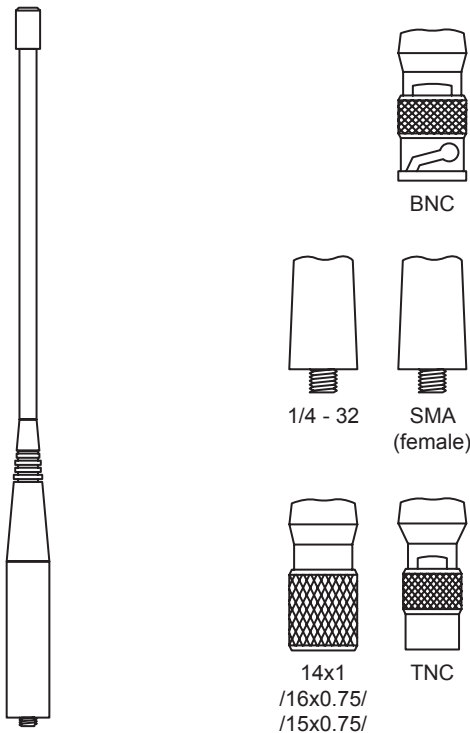
Flexible, conical steel helix moulded in flexible thermoplastic rubber. Optimum performance compared to physical dimensions. Tuned and tested to ensure minimum SWR and optimum performance. High quality materials in a smooth and slender design. Designed for use with different connectors.

specifications

Frequency Range	36-68 MHz
Impedance	50 Ω
Max. Power	25 W
Gain	0 dBd
Length	250 mm max.
Cover	PVC mould

PA1-BS

Helical Antenna in the 66-88 MHz Band



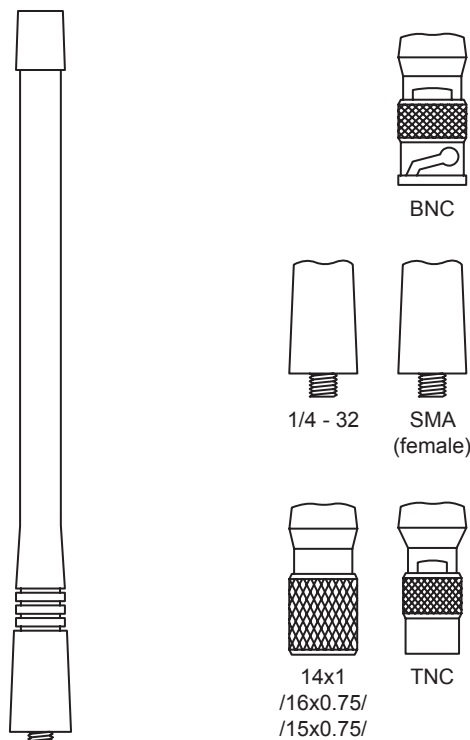
Flexible, conical steel helix moulded in flexible thermoplastic rubber. Optimum performance compared to physical dimensions. Tuned and tasted to ensure minimum SWR and optimum performance. High quality materials in a smooth and slender design. Designed for use with different connectors.

specifications

Frequency Range	66-88 MHz
Impedance	50 Ω
Max. Power	25 W
Gain	0 dBd
Lenght	250 mm
Cover	PVC mould

PA2-M

Helical Antenna in the 2 m Band



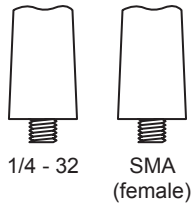
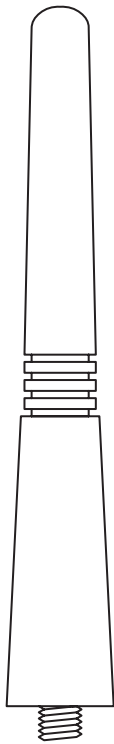
Flexible, conical steel helix moulded in flexible thermoplastic rubber. Optimum performance compared to physical dimensions. Tuned and tasted to ensure minimum SWR and optimum performance. High quality materials in a smooth and slender design. Designed for use with different connectors.

specifications

Frequency Range	130-174 MHz
Impedance	50 Ω
Max. Power	25 W
Gain	0 dBd
Lenght	180 mm
Cover	PVC mould

PA2-MTR

Helical Antenna in the 2 m Band



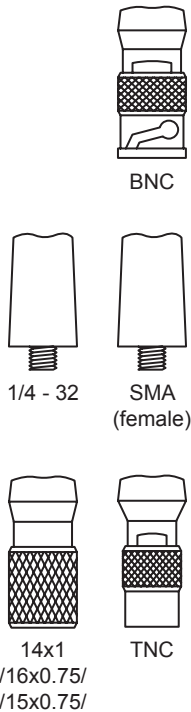
Flexible, conical steel helix moulded in flexible thermoplastic rubber. Optimum performance compared to physical dimensions. Tuned and tested to ensure minimum SWR and optimum performance. High quality materials in a smooth and slender design. Designed for use with different connectors.

specifications

Frequency Range	130-174 MHz
Impedance	50 Ω
Max. Power	25 W
Gain	0 dBd
Lenght	95 mm
Cover	PVC mould

PA3-M

Helical Antenna in the 300 MHz Band



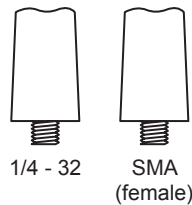
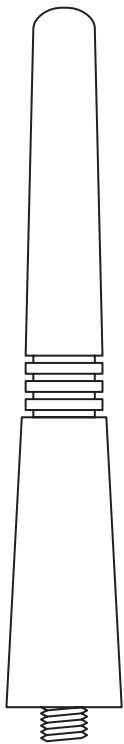
Flexible, conical steel helix moulded in flexible thermoplastic rubber. Optimum performance compared to physical dimensions. Tuned and tested to ensure minimum SWR and optimum performance. High quality materials in a smooth and slender design. Designed for use with different connectors.

specifications

Frequency Range	300-350 MHz
Impedance	50 Ω
Max. Power	25 W
Gain	0 dBd
Lenght	157 mm
Cover	PVC mould

PA3-MTR

Helical Antenna in the 300 MHz Band



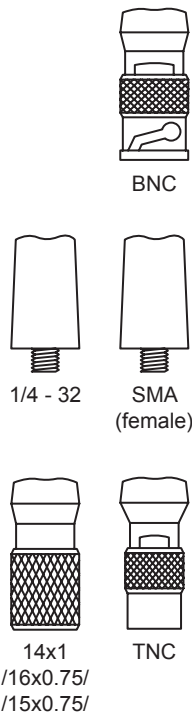
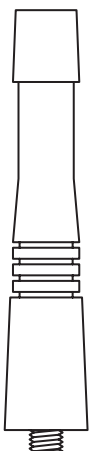
Flexible, conical steel helix moulded in flexible thermoplastic rubber. Optimum performance compared to physical dimensions. Tuned and tested to ensure minimum SWR and optimum performance. High quality materials in a smooth and slender design. Designed for use with different connectors.

specifications

Frequency Range	300-350 MHz
Impedance	50 Ω
Max. Power	25 W
Gain	0 dBd
Length	95 mm
Cover	PVC mould

PA70-M short

Helical Antenna in the 70 cm Band



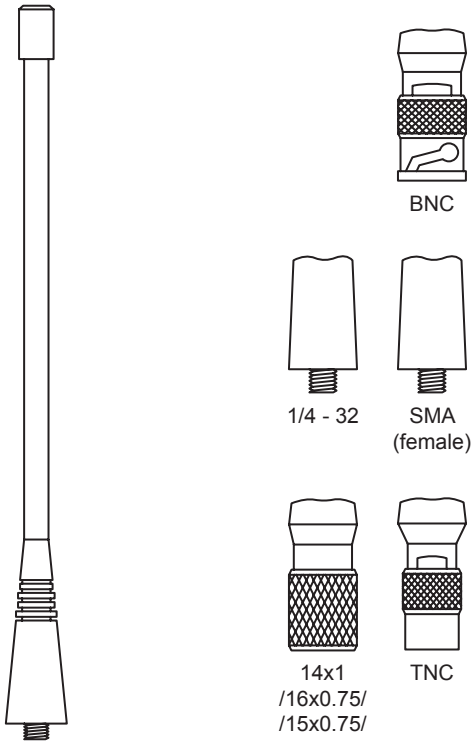
Flexible, conical steel helix moulded in flexible thermoplastic rubber. Optimum performance compared to physical dimensions. Tuned and tested to ensure minimum SWR and optimum performance. High quality materials in a smooth and slender design. Designed for use with different connectors.

specifications

Frequency Range	400-470 MHz
Impedance	50 Ω
Max. Power	25 W
Gain	0 dBd
Length	105 mm
Cover	PVC mould

PA70-M long

Helical Antenna in the 70 cm Band



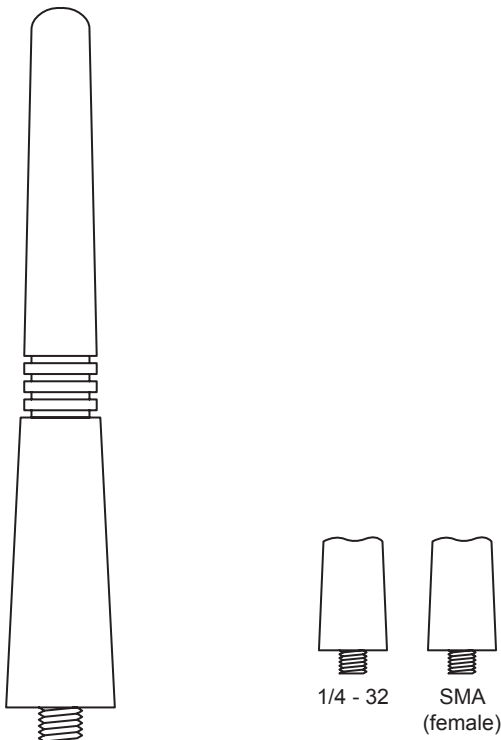
Flexible, conical steel helix moulded in flexible thermoplastic rubber. Optimum performance compared to physical dimensions. Tuned and tested to ensure minimum SWR and optimum performance. High quality materials in a smooth and slender design. Designed for use with different connectors.

specifications

Frequency Range	400-470 MHz
Impedance	50 Ω
Max. Power	25 W
Gain	0 dBd
Length	195 mm
Cover	PVC mould

PA70-MTR

Helical Antenna in the 70 cm Band



Flexible, conical steel helix moulded in flexible thermoplastic rubber. Optimum performance compared to physical dimensions. Tuned and tested to ensure minimum SWR and optimum performance. High quality materials in a smooth and slender design. Designed for use with different connectors.

specifications

Frequency Range	400-470 MHz
Impedance	50 Ω
Max. Power	25 W
Gain	0 dBd
Length	95 mm
Cover	PVC mould